

Low Depth GW90 Gravity Waste

Low Depth GW90 Gravity Waste

The low depth gravity waste has been designed for ease of installation and flexibility of fitting.



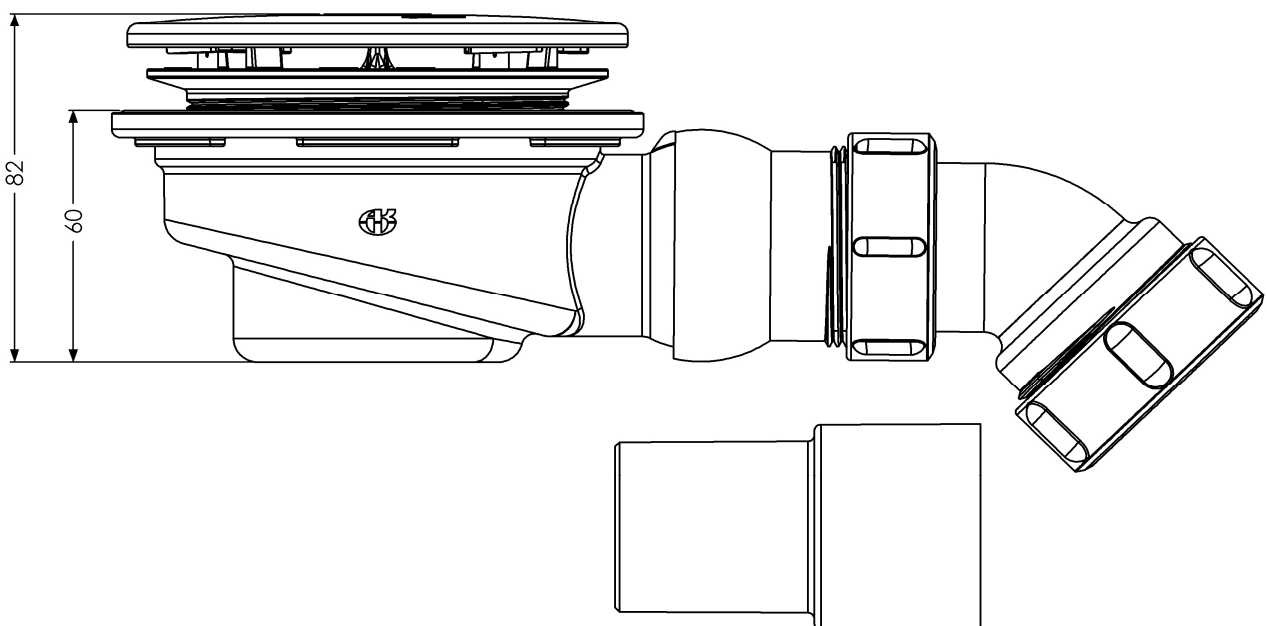
The 90mm diameter waste with a 50mm water trap is suitable for *Low Profile*, *Mullen*, *Keppel* and *Dalby* trays where height restrictions are an issue.

Features:

- Depth below tray 60mm, overall depth 82mm
- Unique swivel outlet for quick and easy installation
- 50mm water trap depth (seal)
- Opens for easy cleaning
- Built in filter
- Approximate flow rate 14lpm
- Suitable for vinyl wet room floor installations

Product Code:

Low Depth GW90 Gravity Waste: 25404



Low Depth GW90 Gravity Waste

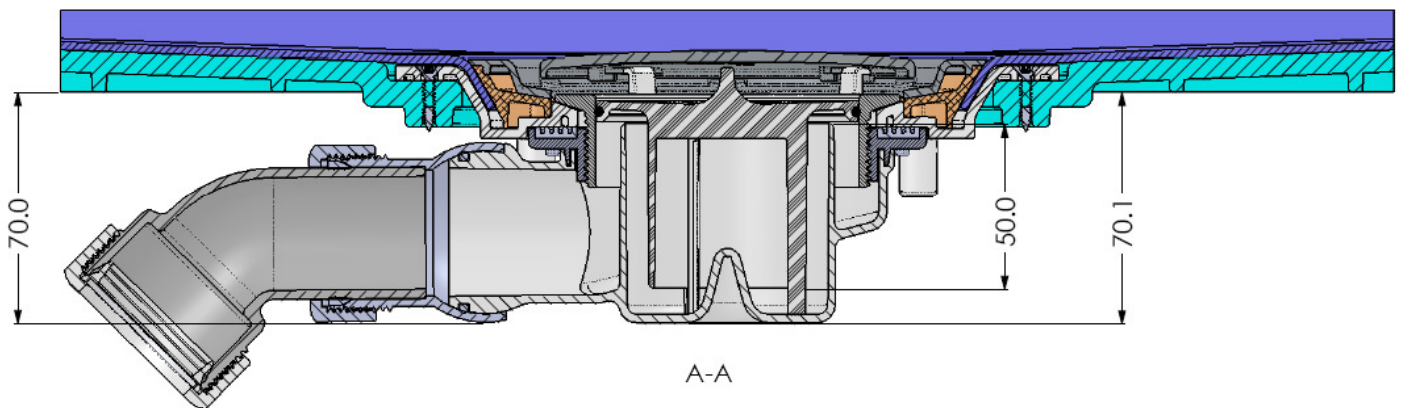
Tuff Form Waste Adaptor

The low depth gravity waste is suitable for use with the Tuff Form tray if fitted in conjunction with the Tuff Form waste adaptor, as detailed below.

Product Code:

Low Depth GW90 Waste TF Adaptor: 25409

Low Depth GW90 and TF Adaptor fitted into a Tuff Form.



Low Depth GW90 Waste and TF Adaptor

